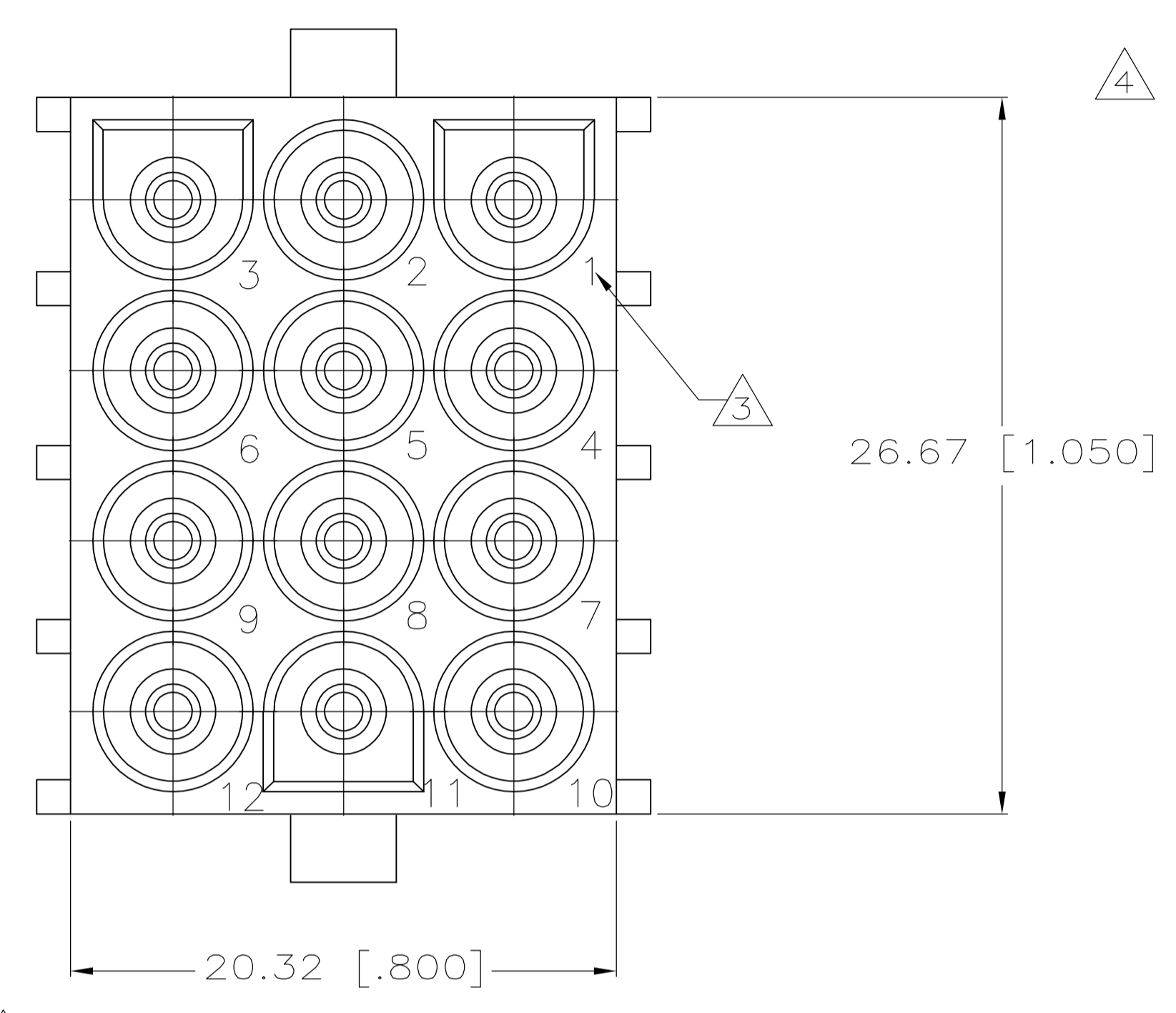
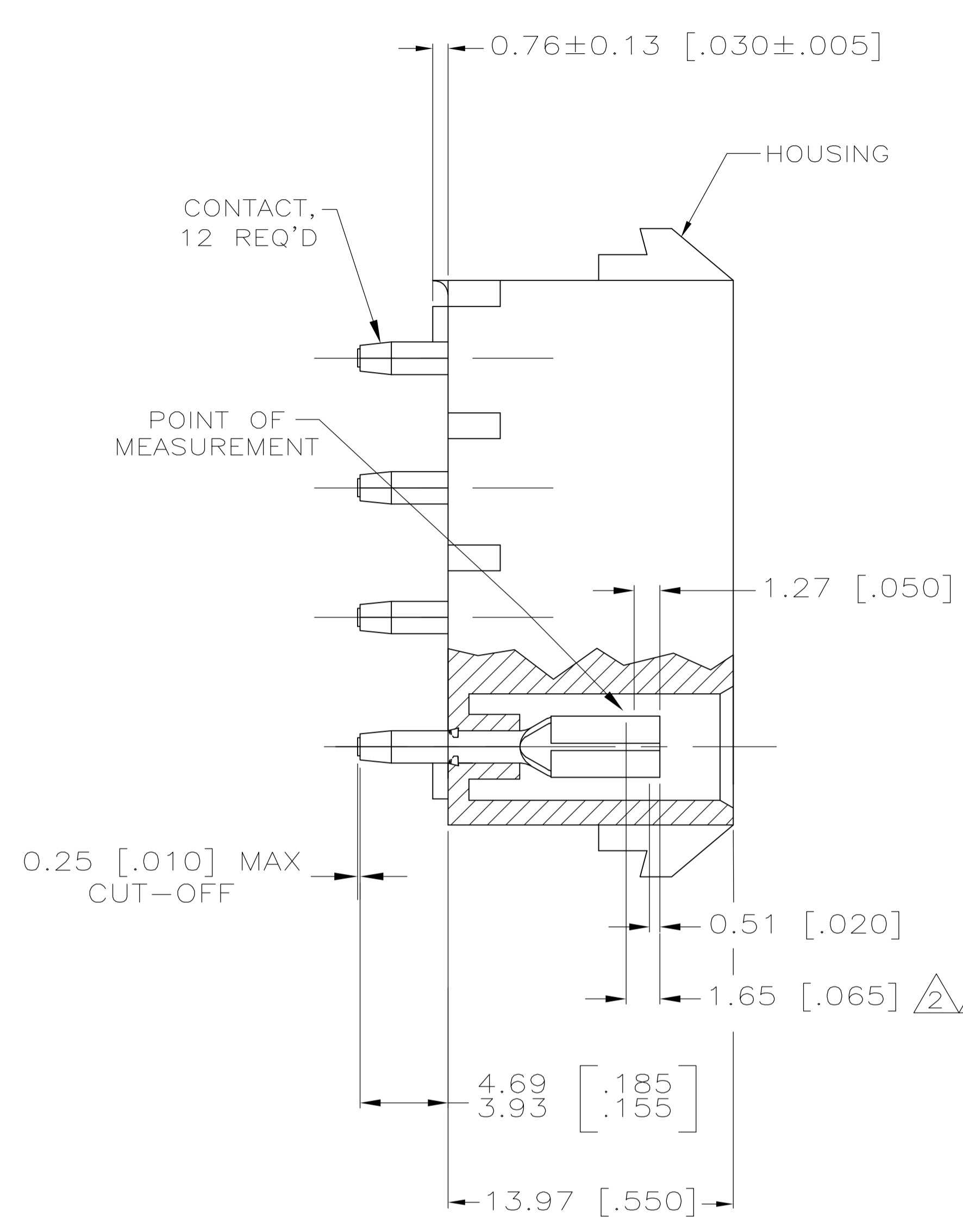
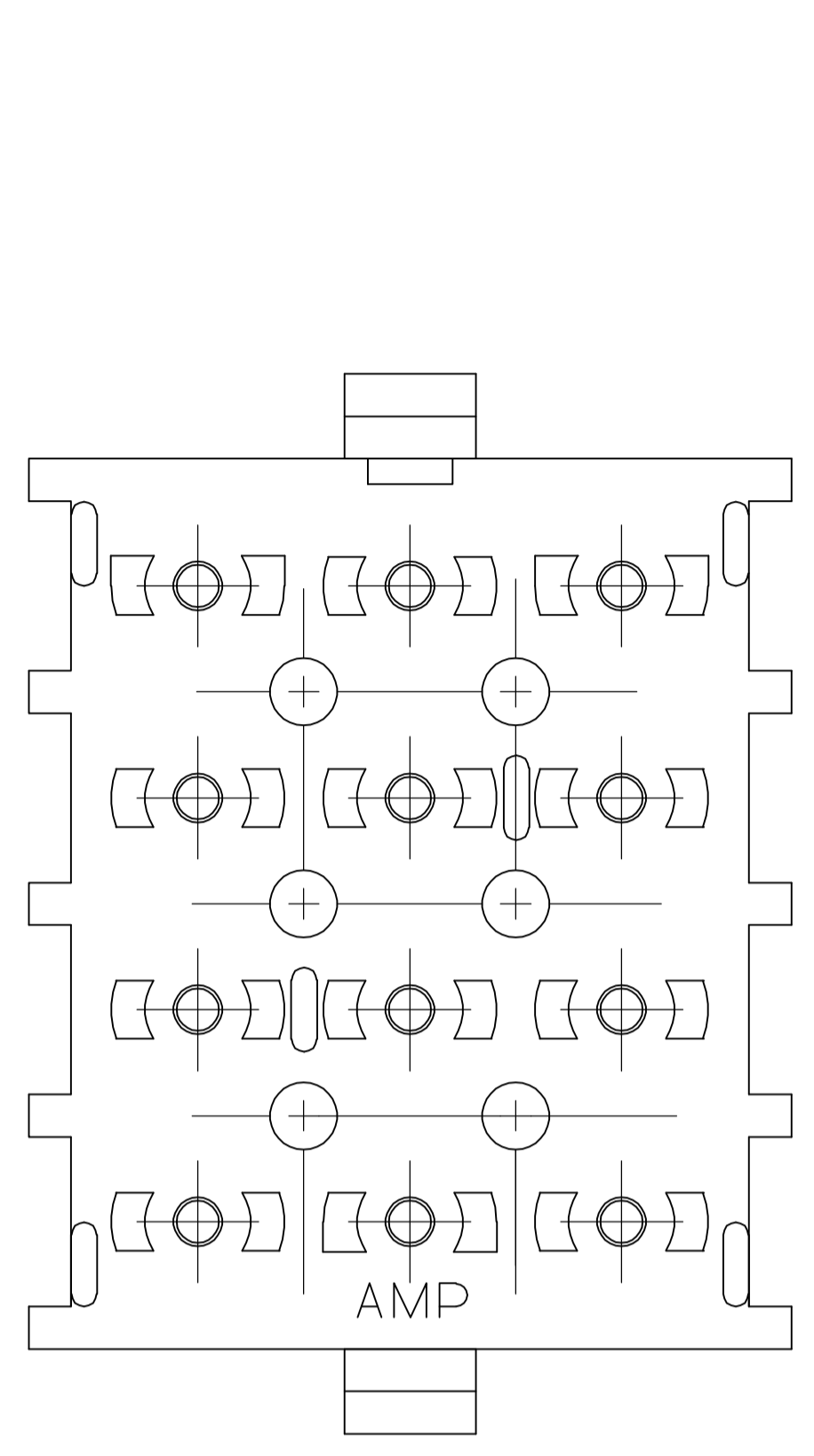
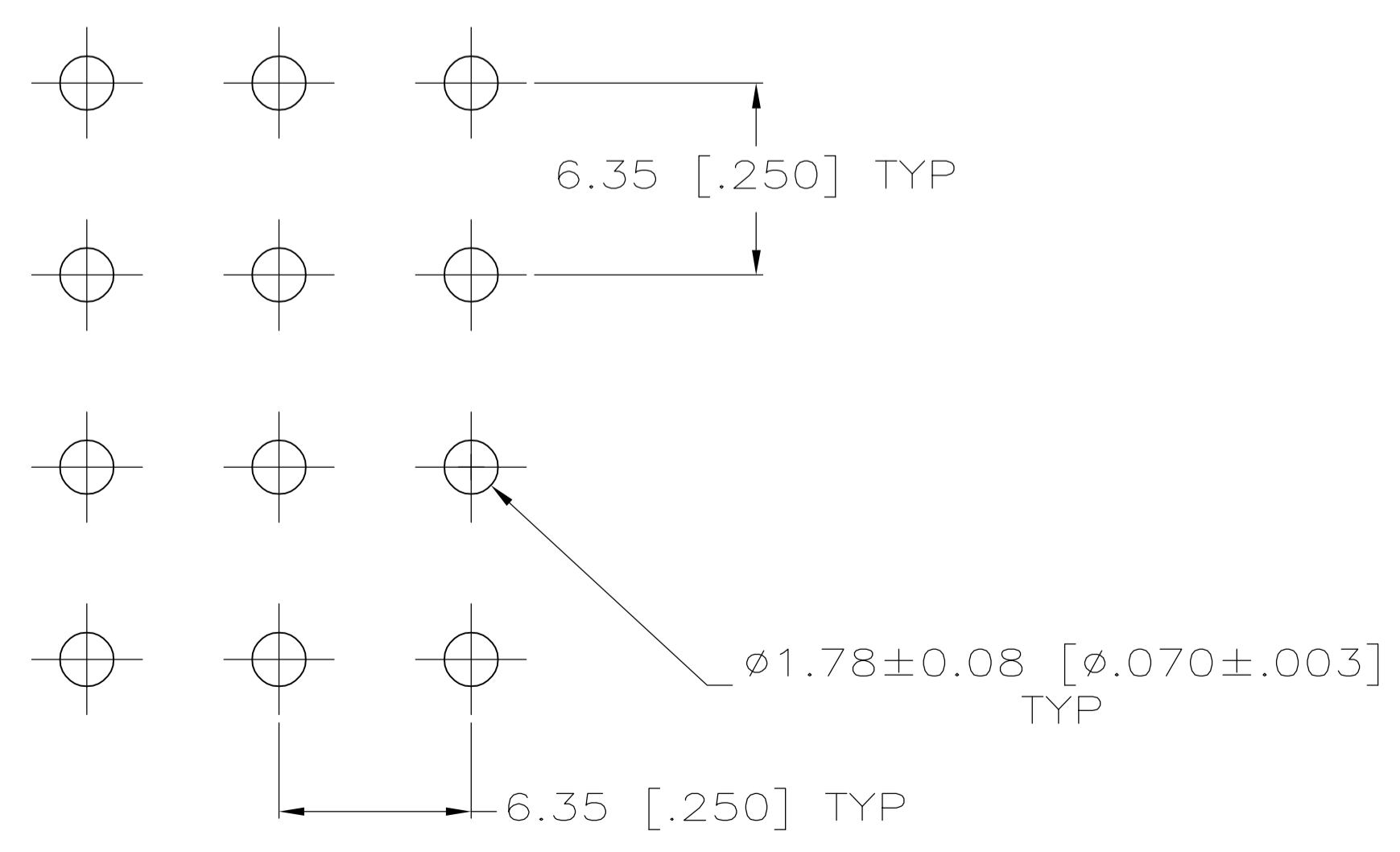


LOC		DIST		REVISIONS			
CM	00	REV	DATE	BY	CHK	APP'D	REV
M		REVISED PER	03B-1100-04	12OCT05	KW	SR	



1. PARTS MUST COMPLY WITH AMP SOLDERABILITY SPEC 109-11-3.
2. CONTACT IS STAMPED FROM PRE-PLATED STOCK WHICH IS PLATED OVERALL WITH 0.00127 [.000050] NICKEL, THEN STRIPED WITH 0.00076 [.000030] GOLD IN CONTACT AREA INDICATED AND TIN-LEAD ON SOLDER TAIL END.
3. CIRCUIT IDENTIFICATION CHARACTERS ARE ADJACENT TO THE INDICATED CAVITIES, BUT LOCATION AND ORIENTATION MAY DIFFER FROM PRINT.
4. CONTACT IS PLATED OVERALL WITH 0.00127 [.000050] NICKEL, THEN 0.00076 [.000030] GOLD OVER CONTACT LENGTH INDICATED AND MATTE TIN ON SOLDER TAIL END.



RECOMMENDED LAYOUT FOR 1.58 [.062] THICK PC BOARD

PH BRZ GOLD $\Delta 4$	NYLON,UL 94V-0	350829-4
PH BRZ GOLD $\Delta 2$	NYLON,UL 94V-0	350829-2
PH BRZ TIN	NYLON,UL 94V-0	350829-1
CONTACT	HOUSING	PART NO

DIMENSIONS:		TOLERANCES UNLESS OTHERWISE SPECIFIED:		APPROVED		NAME	
mm (INCHES)		0 PLC	±	11OCT2005	NAME	12 CIRCUIT UNIVERSAL MATE-N-LOK (TM)	RESTRICTED TO
		1 PLC	±	11OCT2005	S. RIDGILL	P.C. BOARD SOCKET HEADER ASSEMBLY	
		2 PLC	±				
		3 PLC	± 0.13 [.005]				
		4 PLC	±				
		ANGLES	±				
		FINISH	±				
MATERIAL	SEE TABLE	WEIGHT		SIZE	CAGE CODE	DRAWING NO	RESTRICTED TO
				A1	00779	350829	
CUSTOMER DRAWING				SCALE	5:1	SHEET	1 OF 1
				REV	M		

**METRIC**